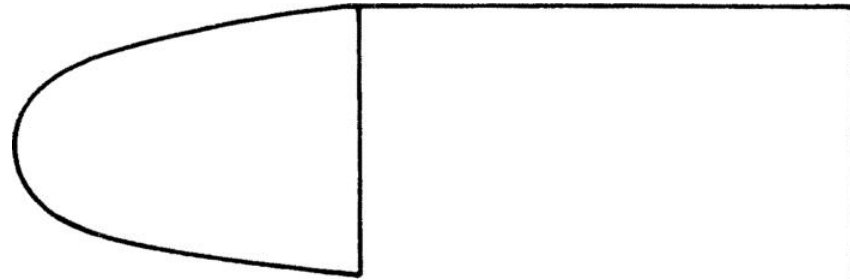
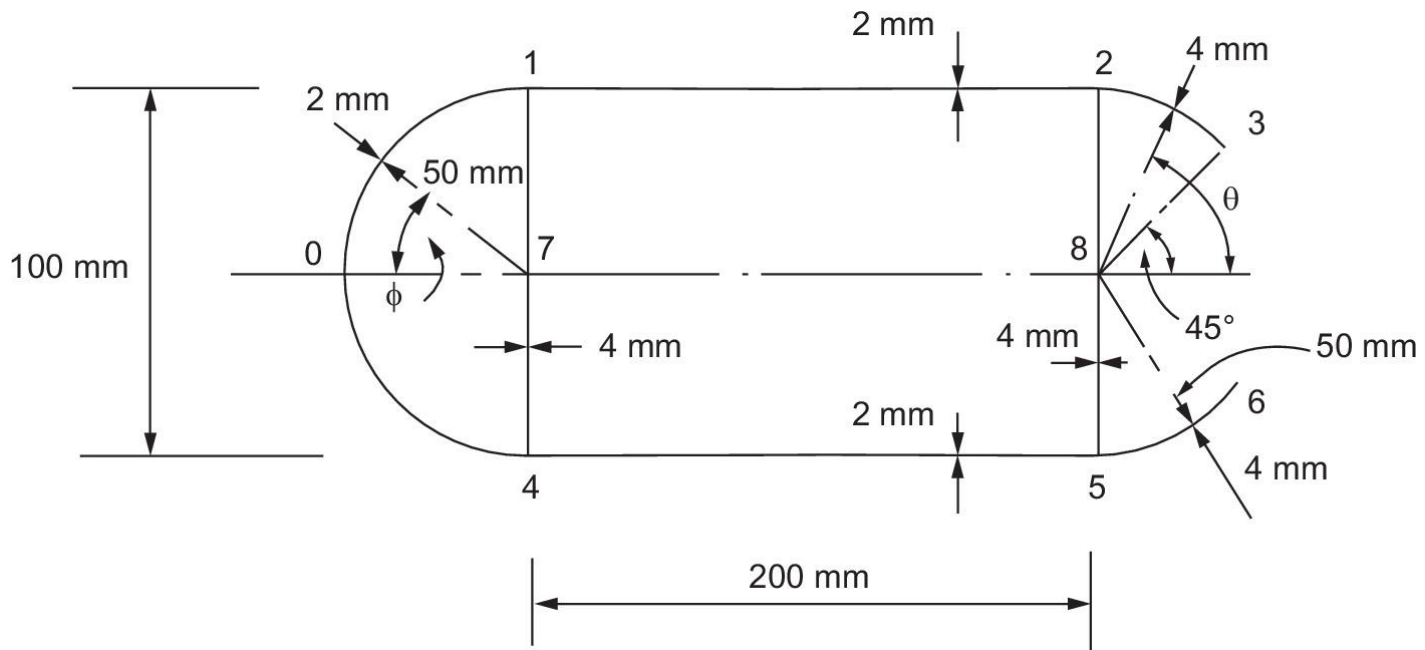


# Chapter 19

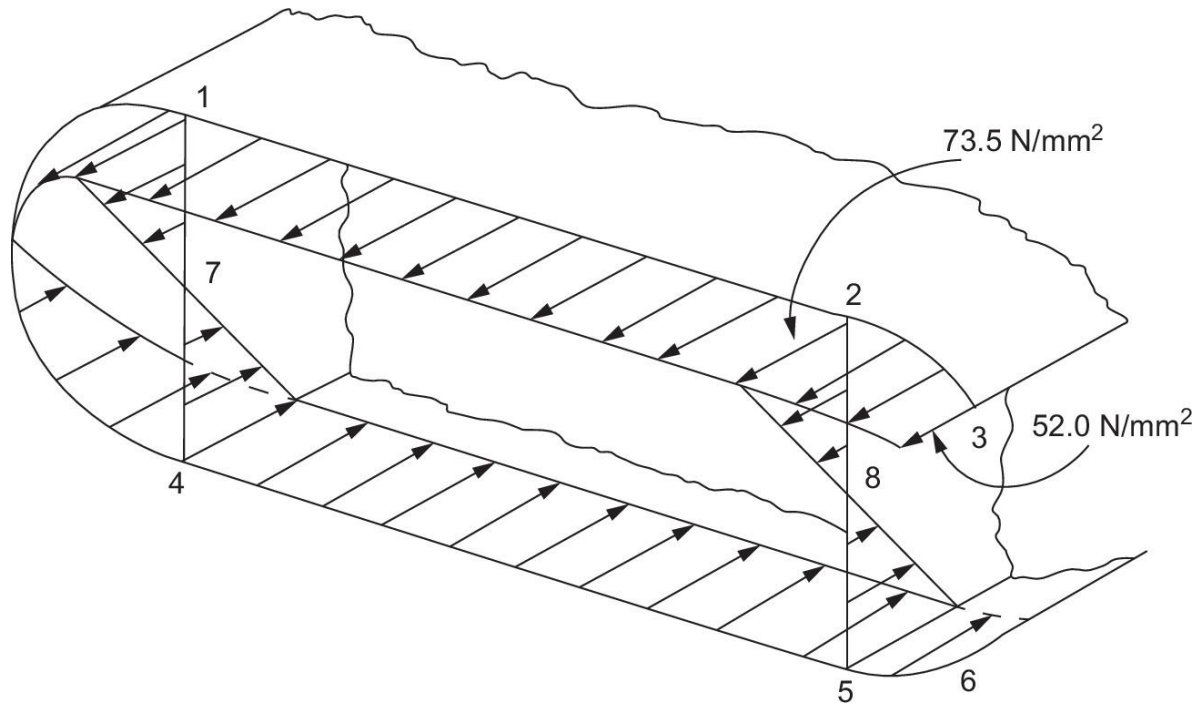
## Combined open and closed section beams



**FIGURE 19.1** Wing Section Comprising Open and Closed Components



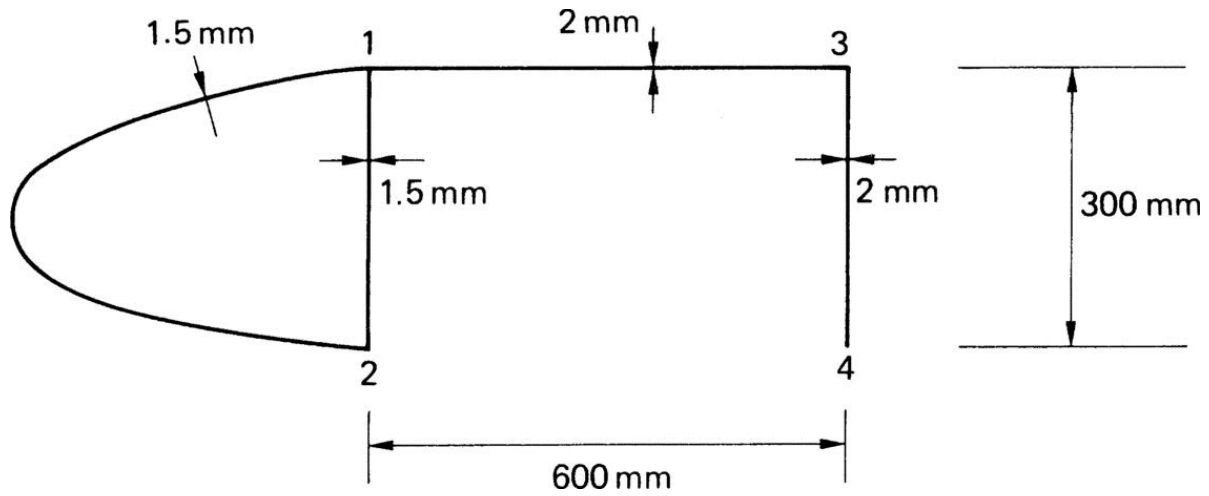
**FIGURE 19.2** Beam Section of Example 19.1



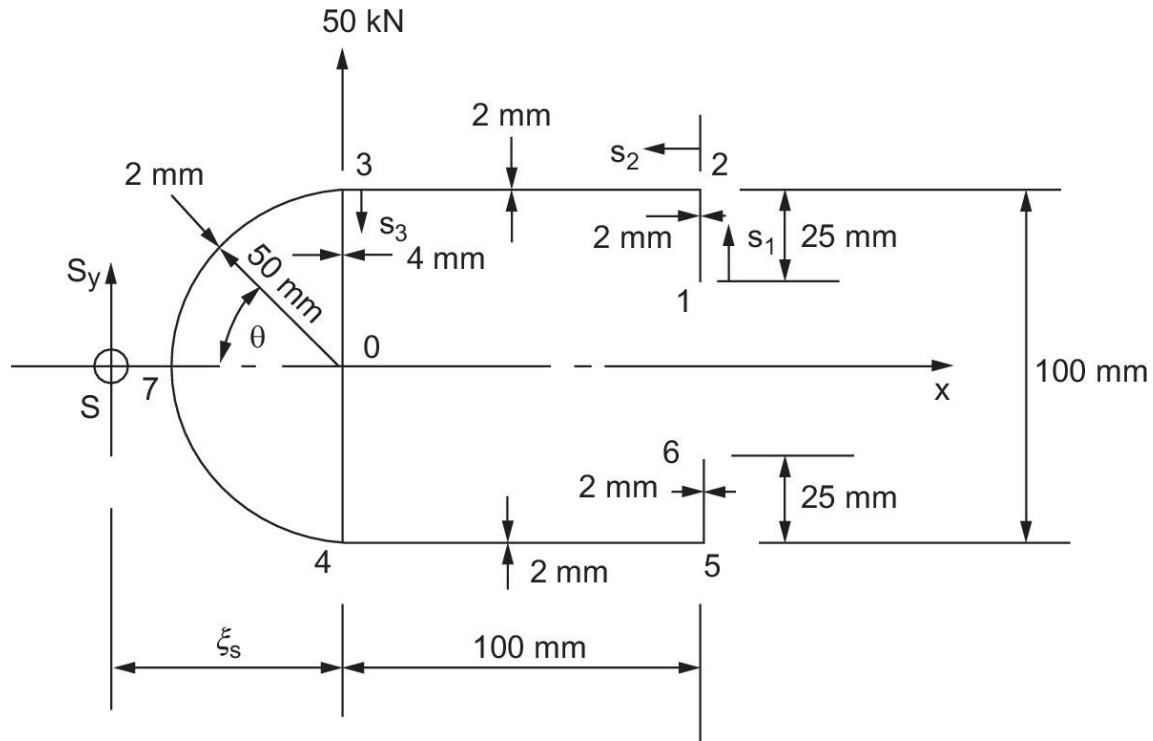
**FIGURE 19.3** Direct Stress Distribution in Beam Section of Example 19.1







**FIGURE 19.6** Wing Section of Example 19.3



**FIGURE 19.7** Wing Section of Example 19.4



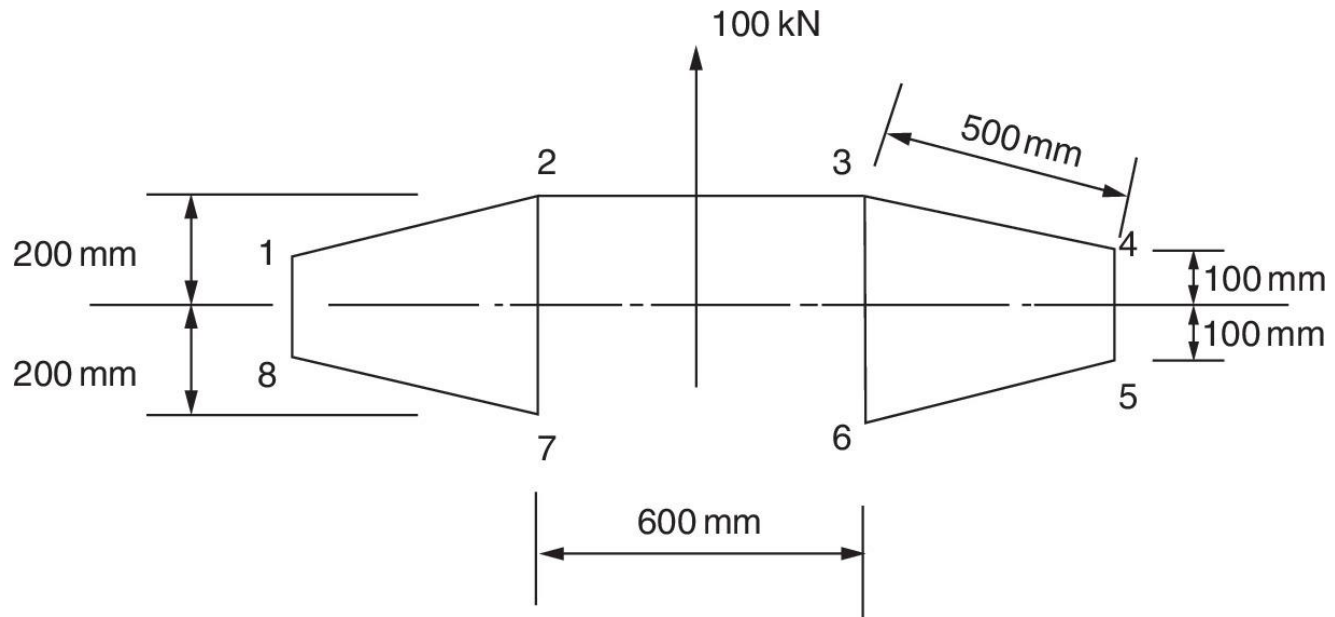


FIGURE P.19.2

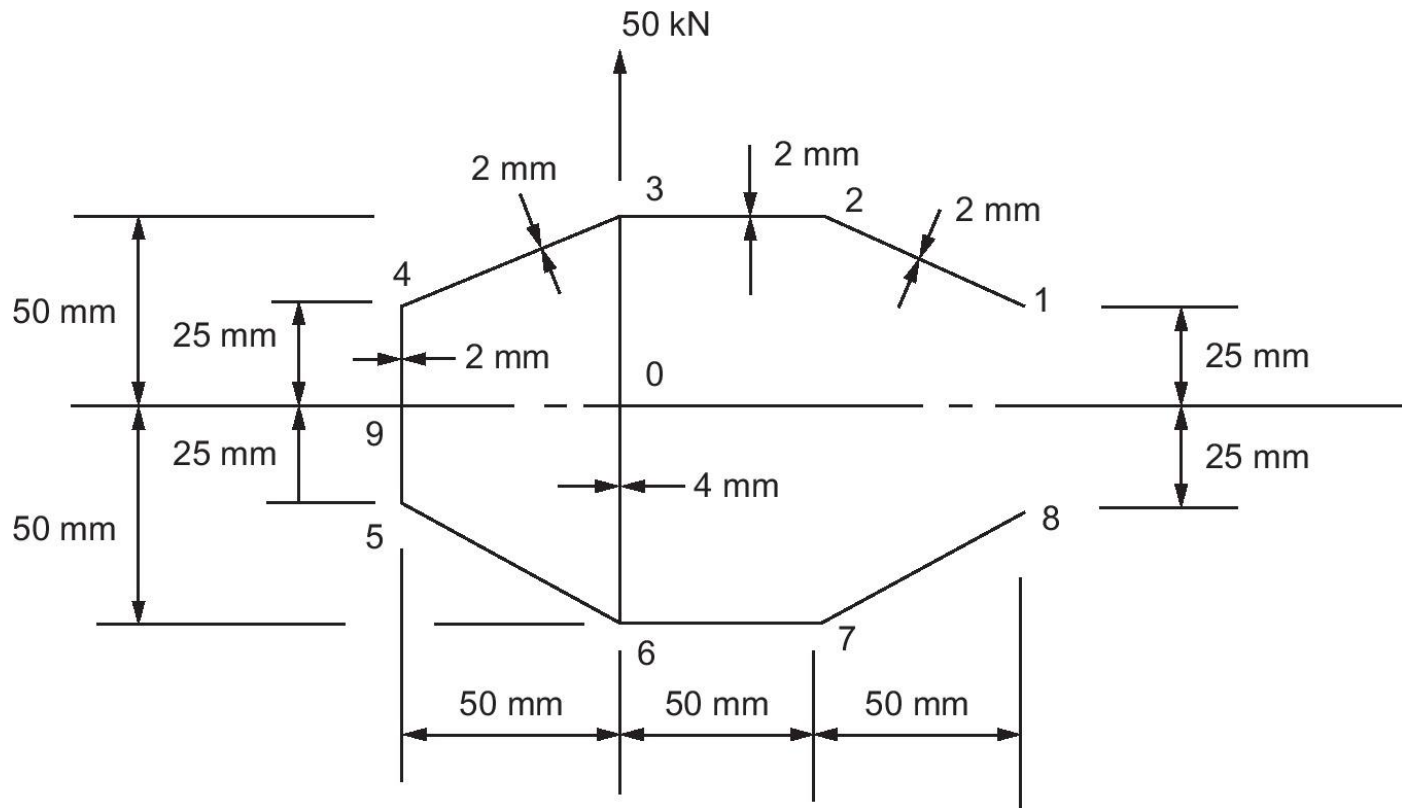


FIGURE P.19.5